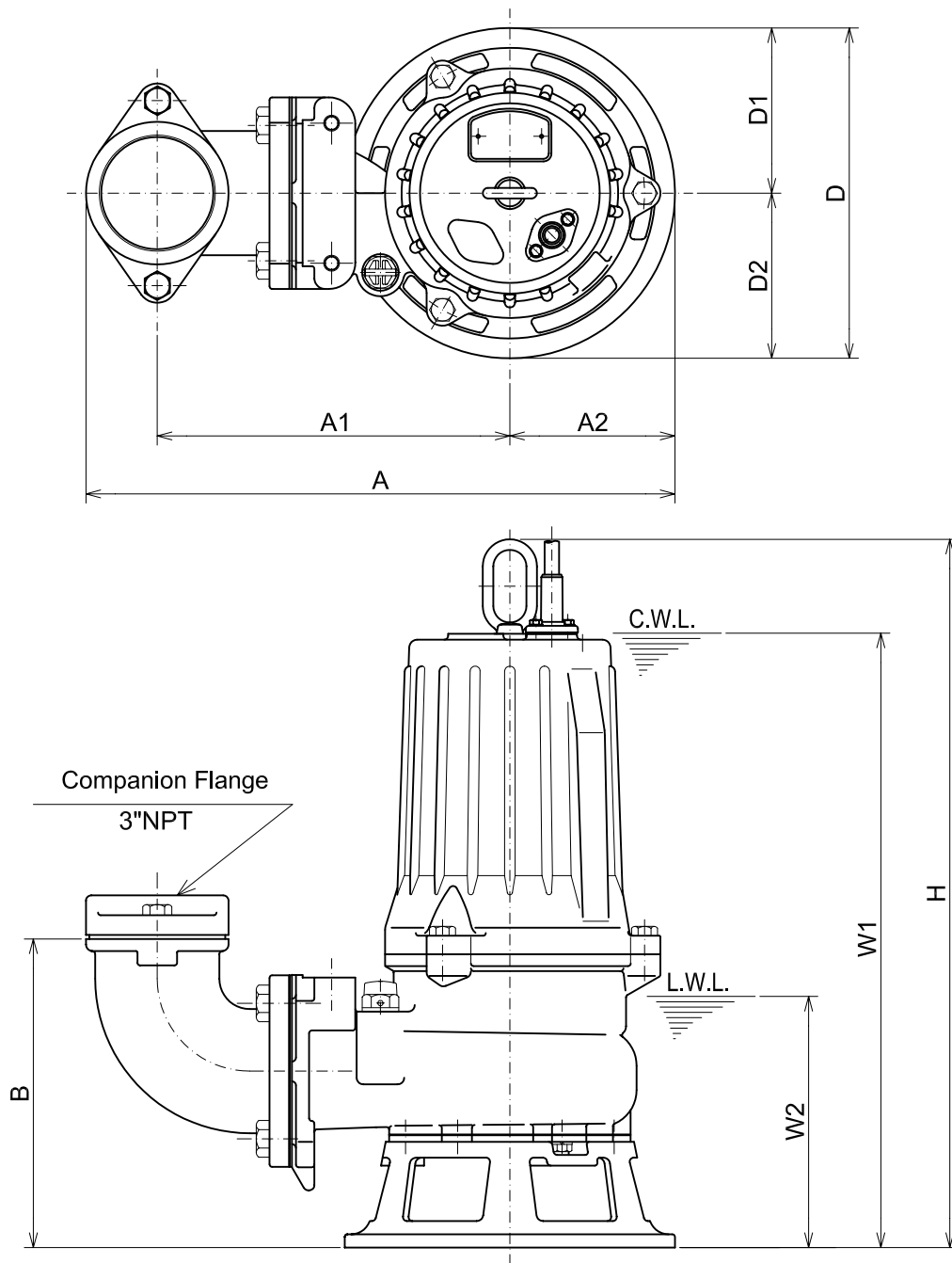




**B-SERIES**  
SEWAGE & WASTEWATER PUMPS

**DIMENSIONS**

80B21.5 -62



C.W.L. :Continuous running Water Level  
L.W.L. :Lowest running Water Level

**DIMENSIONS:USCS(Inch)**

Model	HP	NOM. SIZE	Pump & Motor								C.W.L.	L.W.L.	Wt. (lbs.)
			A	A1	A2	B	D	D1	D2	H			
80B21.5 -62	2	3"	17 9/16	10 1/2	4 15/16	9 3/16	9 13/16	4 15/16	4 15/16	21 1/8	18 1/4	7 1/2	79

**DIMENSIONS:METRIC(mm)**

Model	kW	NOM. SIZE	Pump & Motor								C.W.L.	L.W.L.	Wt. (kg)
			A	A1	A2	B	D	D1	D2	H			
80B21.5 -62	1.5	80	446	267	125	234	250	125	125	536	465	190	36